



DURA BIKE LOCKER™

A DIVISION OF HANNAN SPECIALTIES

Made In The Usa

PRODUCT

**E21™ SingleSided Vertical Bike Rack SKU:
E21-SS-4, SS-6, SS-8, SS-10K**

MATERIALS

- 11 gauge steel
- 1/4" x 2" flat steel hook mounts
- 3/8" rod
- 5/8" rod locking bar
- 7/16" holes to accommodate 3/8" bolt

POWDER COAT OPTIONS

-  Black

FINISH

Powder Coat

Our powder coat finish assures a high level of adhesion and durability by following these

1. Sanded Down
2. Washed and Dried
3. Zinc Primer
4. Powder Coat
5. UV Clear Topcoat steps:

SIZE OPTIONS

- 2 Rack | 4 Bike**
54" L x 47.66" W (approx. w/ bikes)
- 3 Rack | 6 Bike**
80" L x 47.66" W (approx. w/ bikes)
- 4 Rack | 8 Bike**
100" L x 47.66" W (approx. w/ bikes)
- 5 Rack | 10 Bike**
120" L x 47.66" W (approx. w/ bikes)

MOUNTING

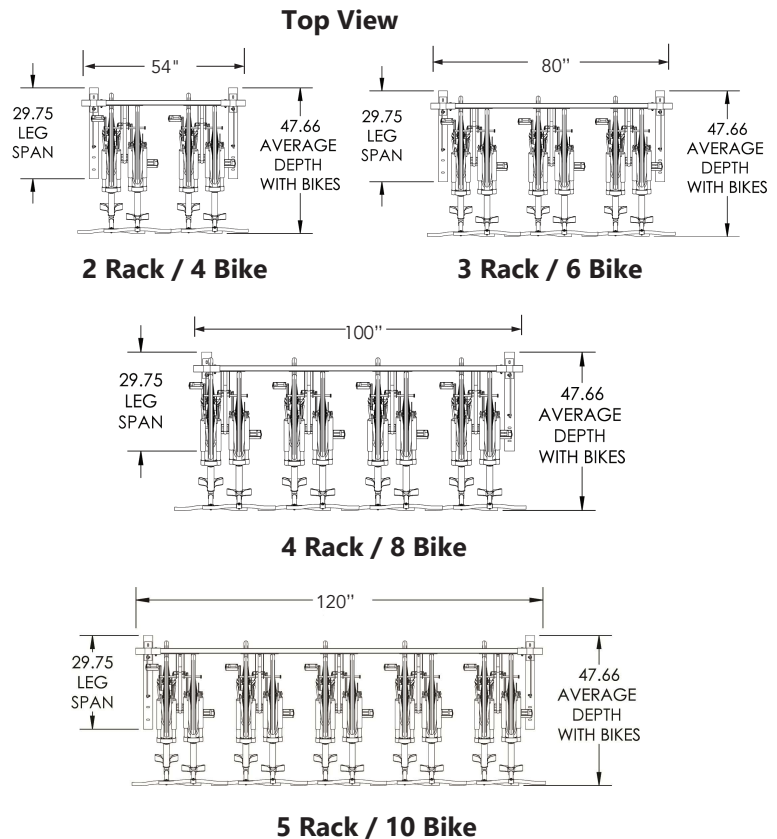
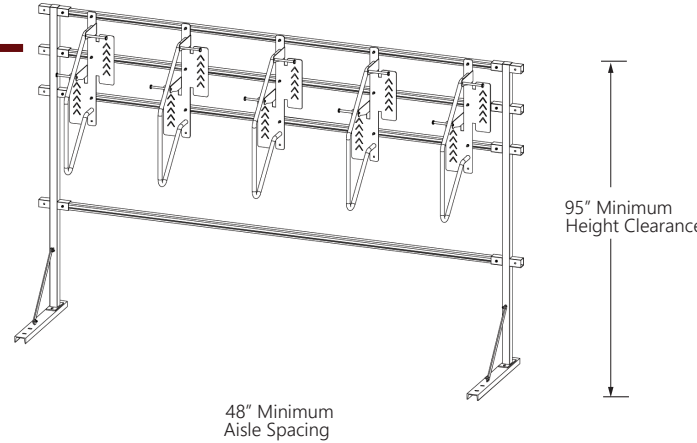
- Freestanding

SPACE RECOMMENDATIONS

Ceiling height: Minimum 92"
Distance from ground to bottom of rack 42"

Side wall to rack center:
Minimum 20", recommended 24"

Distance between racks center to center: Minimum
28", recommended 31"



Rack Quantity: _____

Approved Date: _____

Approved Signature: _____