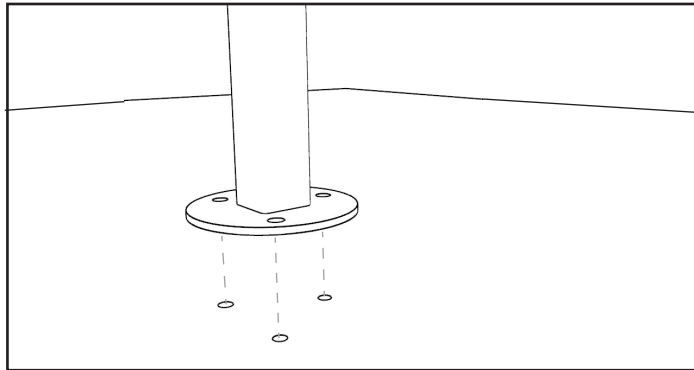


# Dura Bike Locker Assembly Instructions for Surface Mount



## NEEDED FOR INSTALLATION

1. 3/8" Hammer Drill and Drill Motor
2. 9/16" & 3/4" Deep Well Socket and Driver
3. Shop Vac Or Small Vacuum And Pipe Cleaner, or Compressed Air
4. Hammer Or Rubber Mallet
5. Expansion anchors (qty differs by model)

Recommended Torque Wrench For Ease of Installation

For questions regarding the installation of the Double Layer Bike Rack, call or email at:

[sales@durabikelocker.com](mailto:sales@durabikelocker.com)

1-800-722-2453

[www.durabikelocker.com](http://www.durabikelocker.com)

