

HIGH SECURITY OUTDOOR BIKE PUMP



DURA BIKE LOCKER

A DIVISION OF HANNAN SPECIALTIES INC.
3790 Bradview Drive, Sacramento CA 95827

MATERIALS AND BENEFITS:

- Formed Steel Housing DOM Tubing
- Rubber Exterior Braided Steel Core Hose
- Presta/Schrader (no removable parts) Pump Head
- Smash proof guage cover

FINISH OPTIONS:

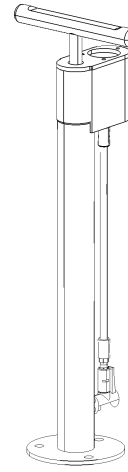
- STAINLESS STEEL

MOUNT OPTIONS:

- Surface

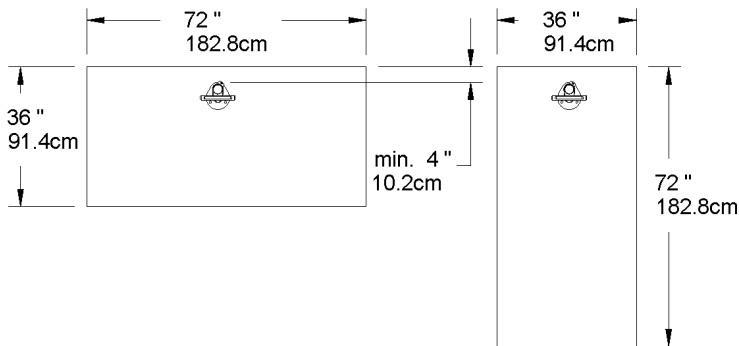
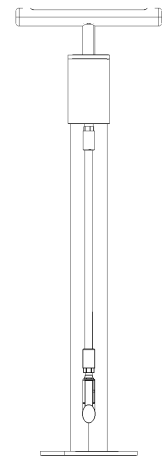
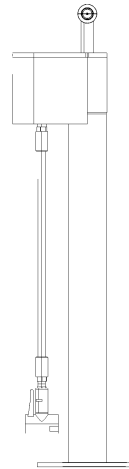
SPACE RECOMMENDATIONS:

- Walls or Object Setbacks: Minimum 48"
- Parallel Wall Setbacks: Minimum 12"
- Perpendicular Street Setbacks: Minimum 60"
- Parallel Street Setbacks: Minimum 96"



Side View

Front View



Top View

