



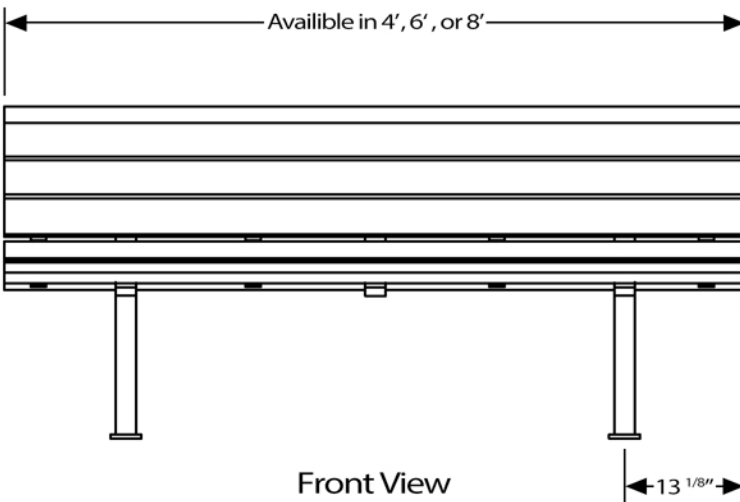
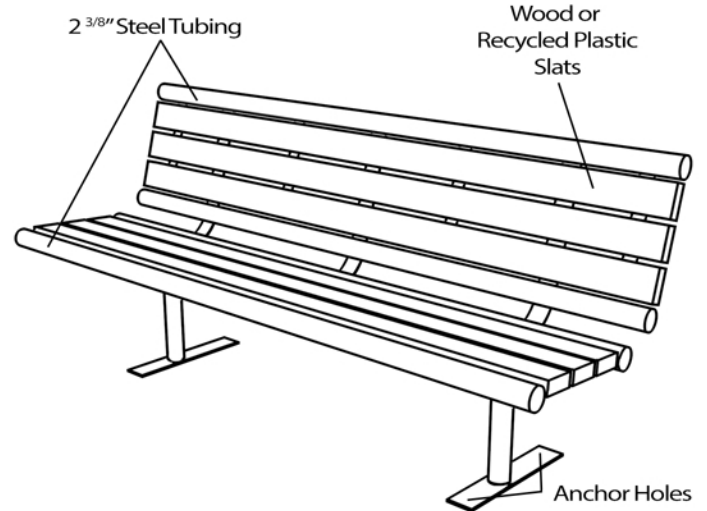
DURA SITE FURNISHINGS

A DIVISION OF HANNAN SPECIALTIES INC.

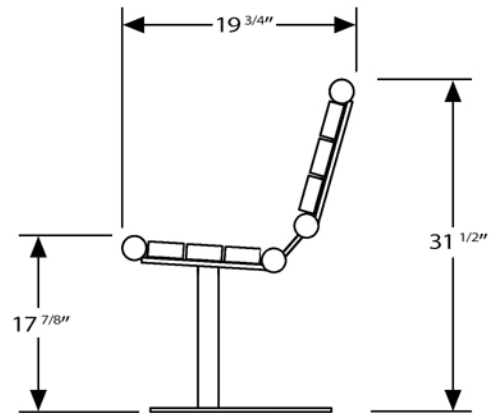
Made in the USA

DIMENSION SHEET FOR MODEL : POE BENCH

Top View



Front View



Side View

Mount Option:
 Surface Flange (SF) In Ground (IG)

Finish:
 Powder Coat (P) Hot-Dip Galvanized (G)
 Stainless Steel (S)

Powder Coat Color: Anti-Graffiti Clear Coat
 Black Silver Gray Emerald Green
 Pearl White Mesa Tan Celestial Blue
 Graphite Fire Engine Red

Bench Length:
 4' 6' 8'

www.durabikelocker.com

3790 BRADVIEW DR. - SACRAMENTO, CA 95827
 (916) 363-7225 - (800) 722-BIKE (2453)

Qty: _____ Approved Date: _____

Please Sign Here: _____

For Your Approval, This Is Used As A Submittal