

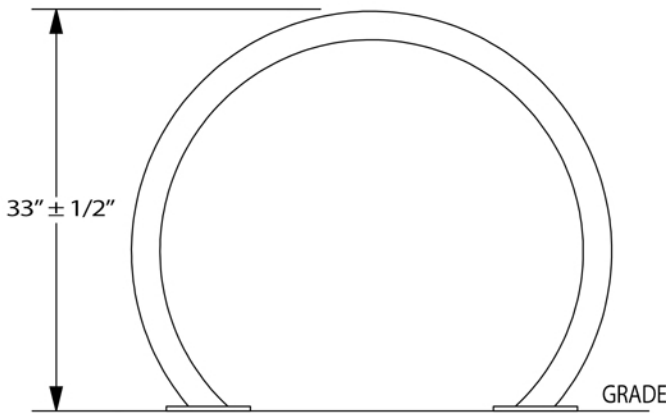
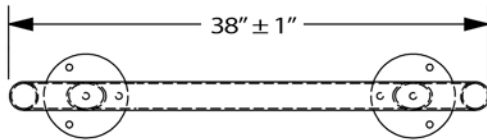


DURA BIKE RACKS

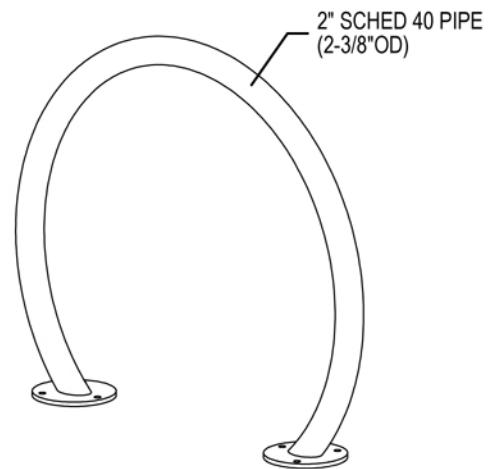
A DIVISION OF HANNAN SPECIALTIES INC.

Made in the USA

DIMENSION SHEET FOR MODEL : OMEGA-2-SF-P(G, or S) (Circular Style Bicycle Rack)



ELEVATION VIEW
1 RING - 2 BIKE CAPACITY

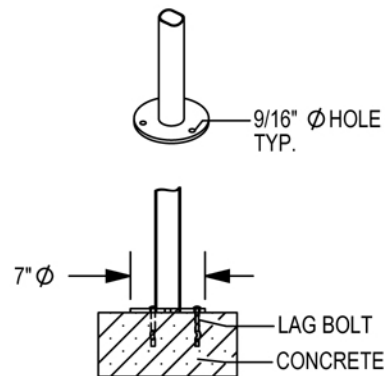


Mount Option:
 Surface Flange (SF) In Ground (IG)

Finish:
 Powder Coat (P) Hot-Dip Galvanized (G)
 Stainless Steel (S)

Powder Coat Color: Anti-Graffiti Clear Coat
 Black Silver Gray Emerald Green
 Pearl White Mesa Tan Celestial Blue
 Graphite Fire Engine Red

Rack Options:
 Lean Bar (LB)
 Lean Bar with Security Cables (SC)



SURFACE FLANGE MOUNT (SF)

www.durabikelocker.com

3790 BRADVIEW DR. - SACRAMENTO, CA 95827
 (916) 363-7225 - (800) 722-BIKE (2453)

Qty: _____ Approved Date: _____

Please Sign Here: _____

For Your Approval, This Is Used As A Submittal