

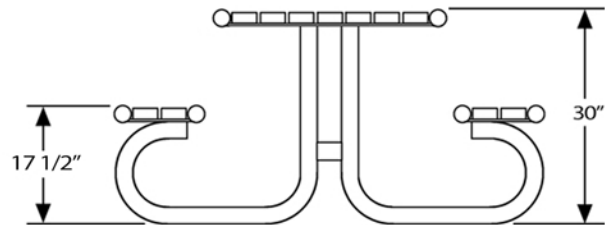
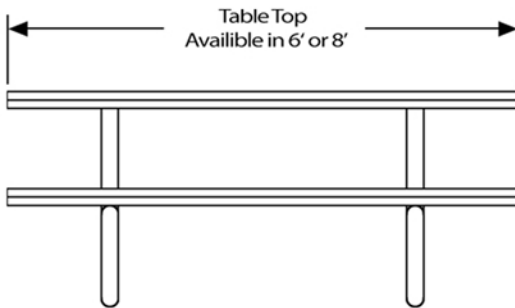
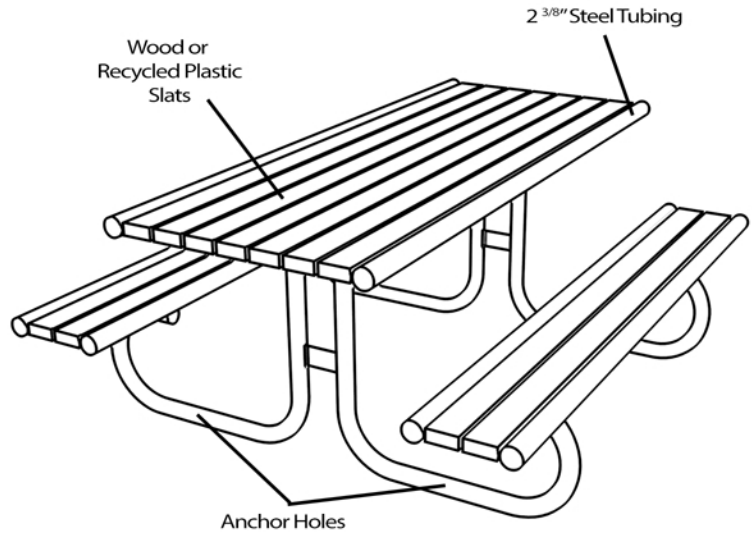
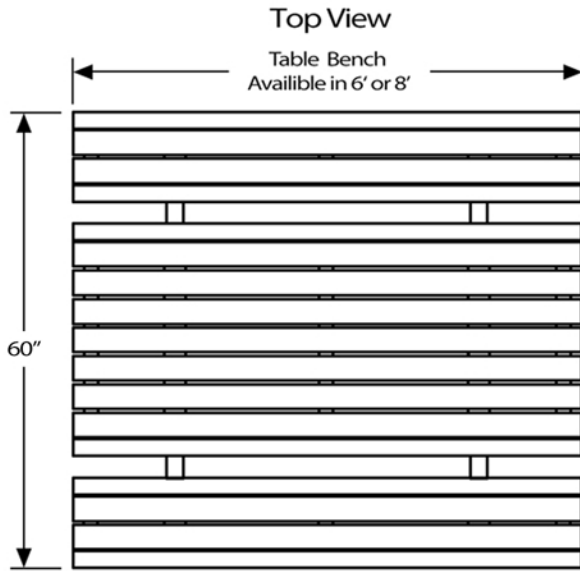


# DURA SITE FURNISHINGS

A DIVISION OF HANNAN SPECIALTIES INC.

Made in the USA

## DIMENSION SHEET FOR MODEL : POE BENCH



Front View

Side View

Mount Option:

Surface Flange (SF)

Finish:

Powder Coat (P)    Hot-Dip Galvanized (G)

Stainless Steel (S)

Powder Coat Color:

Anti-Graffiti Clear Coat

Black    Silver Gray    Emerald Green

Pearl White    Mesa Tan    Celestial Blue

Graphite    Fire Engine Red

Bench Length:	Table Length:
<input type="checkbox"/> 6' <input type="checkbox"/> 8'	<input type="checkbox"/> 6' <input type="checkbox"/> 8'

[www.durabikelocker.com](http://www.durabikelocker.com)

3790 BRADVIEW DR. - SACRAMENTO, CA 95827

(916) 363-7225 - (800) 722-BIKE (2453)

Qty: \_\_\_\_\_ Approved Date: \_\_\_\_\_

Please Sign Here: \_\_\_\_\_

For Your Approval, This Is Used As A Submittal